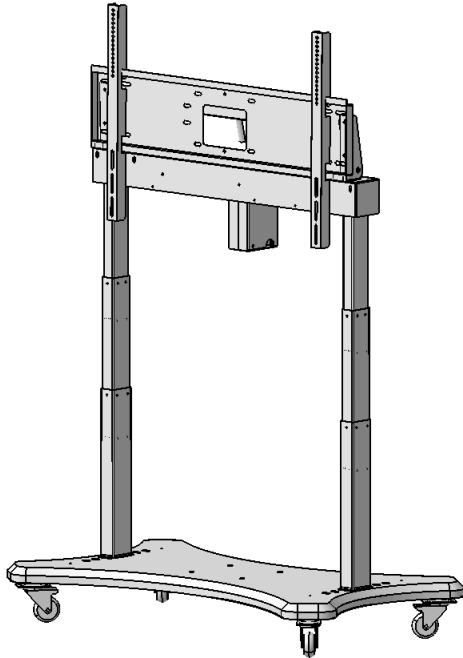


# Assemble Guide

Model: DT-K

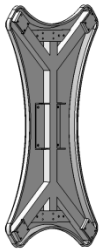

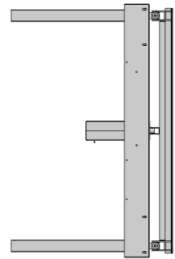




- For the safety and correct use, please read this guide carefully and keep it as a reference for the further use.
- Please authorize the professional third-party (like the assembly company) to assemble the product.
- The trolley can be used in office, home and classroom, etc.

## Safety Notes

1. Please read all the contents and completely follow the instructions.
2. Request for the professional workers, at least two, to make assemble and test.
3. Use on the flat ground to avoid any hard crash, if not, which is not covered by the warranty. Stop the use once the products get damaged.
4. We don't responsible for any damages or losses caused by the incorrect assembles and operations.

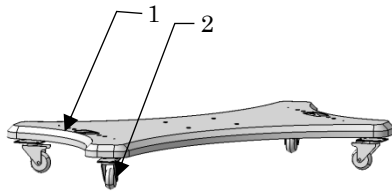
## Package

Name	Bottom Plate	Castor	Lifting Frame	Mount	Remote control Screw
Qty	1pc	4pcs	1pc	1 set	1 set for each
Picture					

**Assemble sequences and structures**

**Step1**

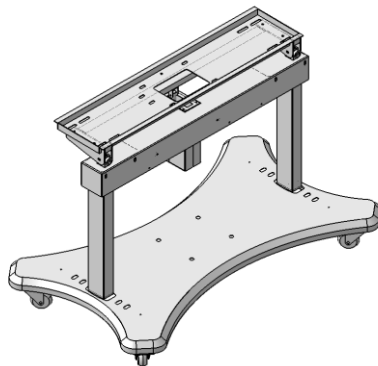
Fix castors on the bottom plate



No.	Name	Qty
1	Bottom plate	1
2	Castor	4
	M10x20 screw	16

**Step2**

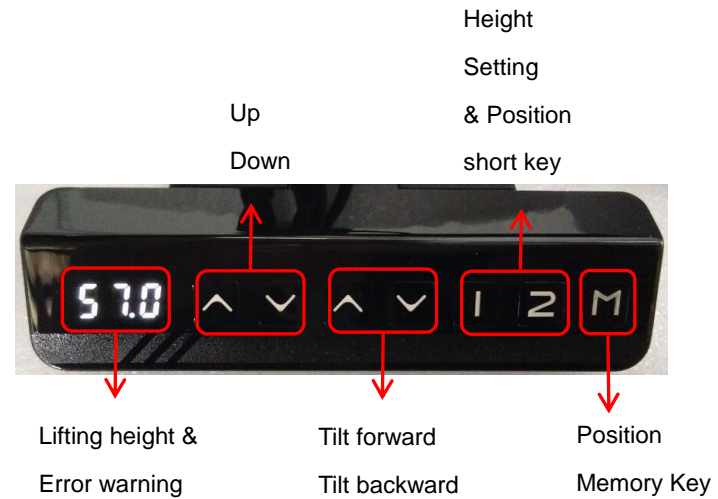
Connect lifting frame with bottom plate



No.	Name	Qty
1	Lifting frame	1
	M6x16 screw	8

**Operations**

Controller buttons



**1. Reset**



Connect the power, and press the down button for 5 seconds, the above code flickers. Press and hold the down button again, the lifting frame will lift up and the screen shows height, reset completes.

Do RESET for below occasions,

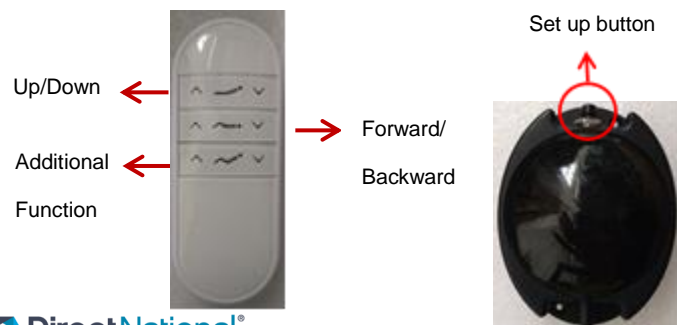
- **When trolley set up and connect power for first time.**
- If left and right lifting frames are lifted at a different height caused by external force, the motor will stop working. Please make trolley unloaded and do the reset.
- Error code E01 means motor self-protect caused by overheat (**work continuously for 4 minutes**) or overload (**load over 100kgs**), just no further operation for 16 minutes and do reset.
- Error code E07 means cable loose, please open motor case and check connection of cable **M1 & M2**, and do the reset.

## 2. Height setting & position short key

Setting the height as requested, press button M and then press button 1, short key is settled. When press the button 1 in the further use, the height will be automatically settled at Height 1. Repeat the settings will remove the height setting. User can set two heights with button 1 and 2.

**Notes: Short key is only for lifting up and down.**

## 3. Remote control



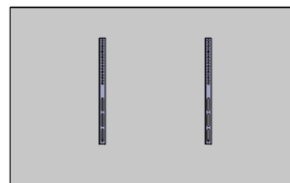
## How to set remote control

Remote control must be set up before using, press to hold up/down button on remote control and the set up button on remote control sensor, red light in remote control button will flickers three times, remote control can work now.

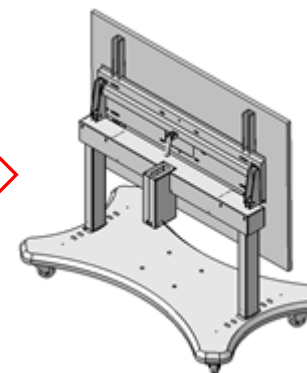
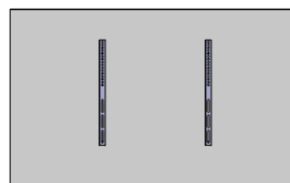
**Note: lifting and tilt frame can work continuously for 5 minutes MAX.**

## Install Panel/Screen

Install mount on back of panel/screen with 4 screws

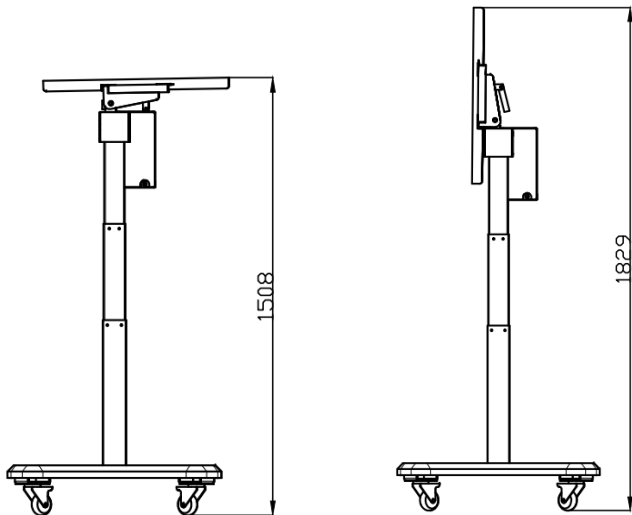
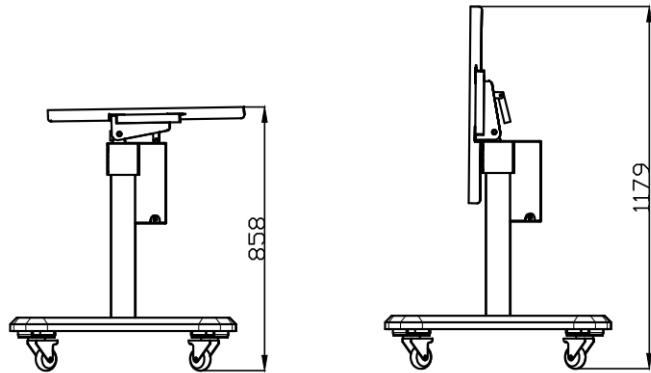


Put panel/screen on the trolley



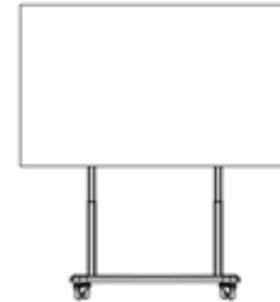
### Functions

Panel or screen can be lifted and tilted as bellowing

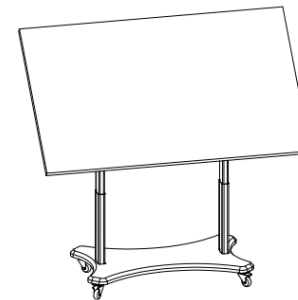


### Applications

1. Panel in meeting room, classroom and home, etc.



2. Advertising panel



3. Touch table, interactive table



**Specifications**

Bottom size (LxW)	1256mmx736mm
Lifting distance	650mm
Tilt degree	90°
Weight	60kg
Load weight	100kg
Panel size	Under 100inch